

Hallowell EMC Heated Hard Pad Instruction Sheet

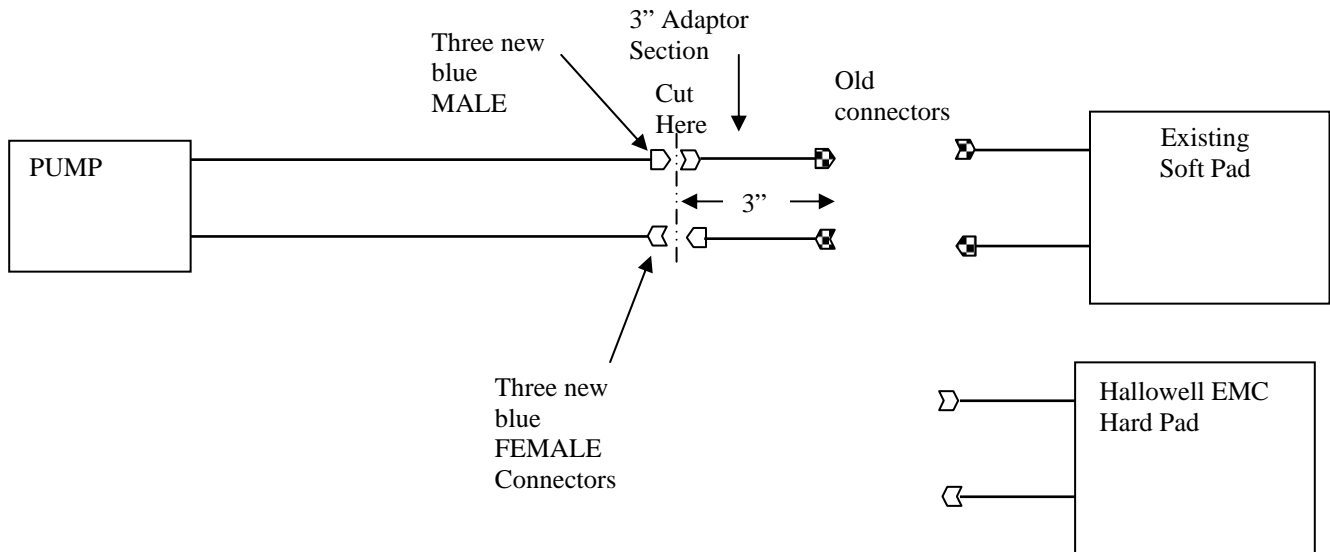
Part Number: 000A2787A (21" x 24")

Part Number: 000A2788A (15" x 24")

Part Number: 000A2789A (9" x 12")

Part Number: 000A04076 (6" x 8")

Included with the table you will find two additional pairs of Auto-Shutoff Quick Connect fittings enclosed. We think you will find these very convenient, when they are disconnected they close, no water will leak out making it unnecessary to use or forget to use the pinch clips. We suggest that you cut the tubing on your pump about 3 inches from your existing connectors. Then install one of each connector (male and female) onto the two tubes connected to the pump. Next install one of each connector (male and female) to the short tubes you cut off that are attached to your old connectors. This will result in a pair of short adapters with new connectors on one end and the old connectors on the other end. This will enable you to connect your new Hallowell EMC Hard Pad or connect your old pads when desired. Retain the 3" adaptor sections to use to connect your existing soft pads.



The Hallowell EMC Hard Pad has been designed to be used with existing heat therapy systems such as the Gaymar T/Pump®. Follow the instructions in the Gaymar Operators Manual in regards to startup, shutdown, storage, draining and cleaning instructions.

In addition to the Startup Instructions in the Gaymar Operator's Manual it is necessary to insure that there are no air bubbles left in the Hard Pad. The presence of air bubble will block the flow of heated water to that area downstream of the bubbles.

When filling the system with the table connected, it is most convenient to prop the table up on its edge so that the water flows in the bottom up and out the top. Add room temperature distilled water to the pump as the level in the sight window of the pump drops and the table fills. When the table appears full, tilt it a bit first toward one end then toward the other end. In each position tap the table gently to allow any remaining air bubbles to flow up and be drawn out the top hose and back to the pump.

In general, an eye should be kept on the system to insure that no bubbles have developed and are inhibiting the even flow of water throughout the entire surface of the Hard Pad. Should such bubbles develop simply tilt and tap the table as described above.

Plan ahead, you must allow 20 to 30 minutes for the larger size and 10 minutes for the small pad to come up to temperature. Covering the Hard Pad will help reduce the warm up time. Animals may be placed directly on the table for maximum heat transfer then wrapped and covered with blankets or drapes as required.